



ULTRA WHISPER - SPECIFICATIONS

Performance Rated Performance / Product Water Produced: +-15% at 820 PSI / 57 BAR, 77°F / 25°C & 35,000 PPM TDS typical sea water

Production / Weight	Model #	Per Hour	Weight - Compact	Weight - Modular
	200	8 gal / 32 lit	130 lbs / 59 kg	125 lbs / 59 kg
400	17 gal / 63 lit	145 lbs / 66 kg	140 lbs / 63 kg	
600	25 gal / 95 lit	155 lbs / 70 kg	150 lbs / 68 kg	

Salt Rejection (Chloride Ion) Minimum 99.2%, Average 99.4%

Product Water Temperature Ambient to feed water temperature

Pressure Adjustment Automatically controlled

Salinity Monitoring Automatic electronic monitoring. Temperature compensated with the digital continuous readout. The salinity monitoring components of the system give a continuous TDS readout in ppm (parts per million), are temperature compensated, and of a fail safe design.

Salinity Range Designed for seawater use up to 50,000 PPM TDS (NaCl) (typical seawater salinity is 35,000 ppm)

Temperature Range Max. 122°F / 50°C, Min. 33°F / .5°C

System Feed Water Flow: 4.5 gpm / 17 lpm (depending on system)

Reverse Osmosis Membrane Selected High Rejection/High Yield aromatic tri-polyamid, thin film composite, spiral wound, single pass, high rejection reverse osmosis membrane element.



Chlorine Tolerance	0.1 PPM
pH Range	3-11 (typical seawater pH is 8)
System Pressure	Feed Water: Maximum 35 psi / 2.41 bar / 2.46 Kg/cm ²
System Operation	Seawater nominal 820 psi / 56.5 bar / 57.66 Kg/cm ²

External Installation Water Connections Pipe sizes to be supplied by the installer for connection of the SRC supplied components. The below pipe threads are all US Standard.

Feed Inlet:	1/2" MNPT Male National Pipe Thread
Brine Discharge:	1/2" MNPT Male National Pipe Thread
Product:	1/4" FNPT Female National Pipe Thread

Electrical (NOA = Normal Operating Amps; SUC = Start Up Current; HP Feed Pump and Motor = Horse Power)

Ultra Whisper Model #: 200	Voltage	Phase HZ	VAC	NOA	SUC
	12V			13.0	95
	24V			7.0	48
		Single 50 / 60	115	5.1 / 4.4	15
		Single 50 / 60	230	2.5 / 2.2	8

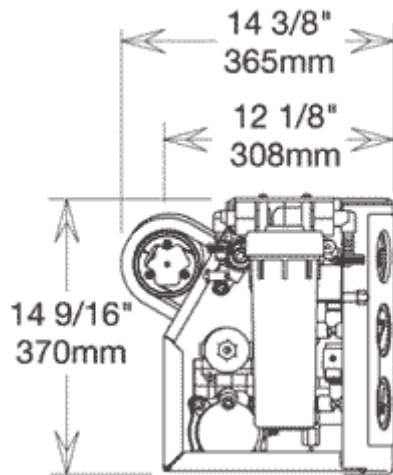
Ultra Whisper Model #: 400	Voltage	Phase HZ	VAC	NOA	SUC
	12V			22.0	95
	24V			11.0	48
		Single 50 / 60	115	6.7 / 5.8	15
		Single 50 / 60	230	3.3 / 2.9	8

Ultra Whisper Model #: 600	Voltage	Phase HZ	VAC	NOA	SUC
	24V DC			22.0	60
		Single 50 / 60	115	11.3 / 9.8	33
		Single 50 / 60	230	5.6 / 4.9	15

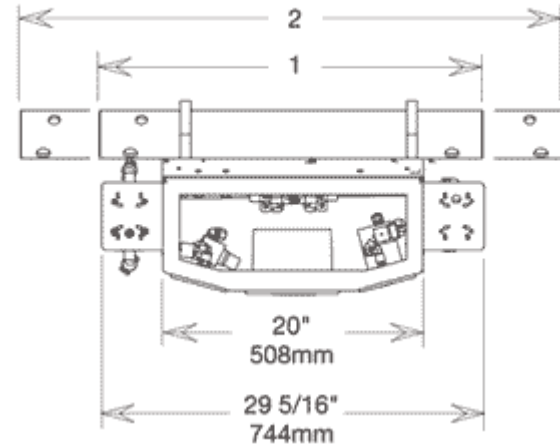
ULTRA WHISPER - DIMENSIONS

COMPACT CONFIGURATION

Profile View



Overhead View

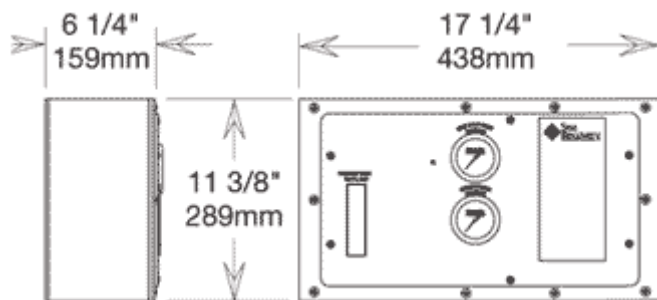


Single RO membrane assembly:

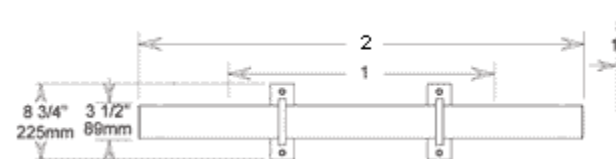
1. 27 15/16" - 710mm: SRC Ultra Whisper Compact / Modular 200
2. 46 15/16" - 1192mm: SRC Ultra Whisper Compact / Modular 400 & 600

MODULAR CONFIGURATION

Profile - Front View



Membrane Dimensions

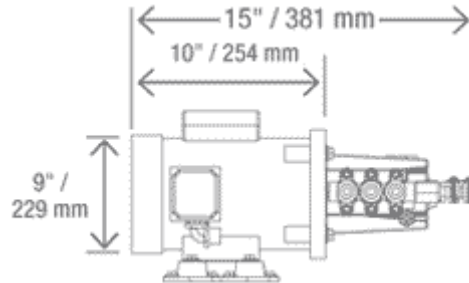


Single RO membrane assembly:

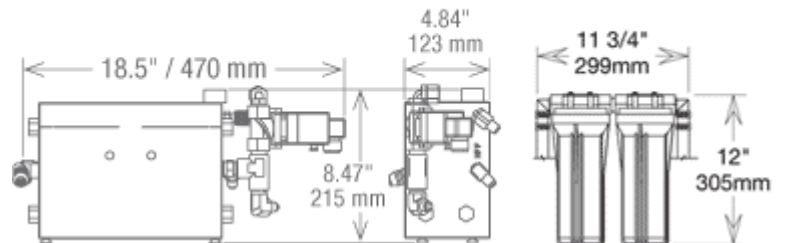
1. 27 15/16" - 710mm: SRC Ultra Whisper Compact / Modular 200
2. 46 15/16" - 1192mm: SRC Ultra Whisper Compact / Modular 400 & 600

STANDARD COMPONENTS AND ACCESSORIES

Feed Pump



Energy Transfer Device - Dual Pre/Post Filters



Single Pre/Post Filter Sea Strainer

