

> THE MOST RELIABLE AND  
ROBUST ON THE MARKET

Seawater Watermakers  
with energy recovery system



**EcoSystems**  
energy recovery watermakers

*Source of freedom*



# Watermaker Efficient-AE

AE200/AE300

- Energy recovery pump
- Automatic pressure regulation
- Automatic production regulation
- Self-regulated
- Productions between 200 and 300 l/h
- Touch screen panel
- Salinity control with solenoid valve
- Automatic fresh flush
- Digital user's guide
- DC 48 V - AC power 220 V – 380 V
- Easy to install

Low consumption watermaker. Navigation without limits.

The Efficient range uses a rotating pump with energy recovery technology, producing from 200 up to 300 litres per hour, with a significant reduction of power consumption.

This range is fully automatic; using several sensors, it self-regulates for optimal production. The touchscreen allows the monitoring of all the necessary parameters to conduct a complete analysis of its operation. This range has two compact models 200 l/h and 300 l/h and a modular model of 240 l/h, available in 48 / 220 and 380V.

A sophisticated range that combines technology and design.

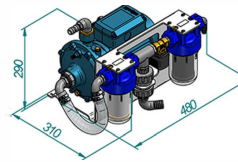
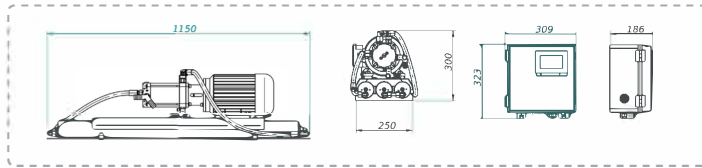
[www.eco-systems.com](http://www.eco-systems.com)



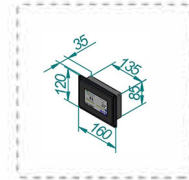
Watermakers which have raced around the world across the 5 oceans and the most extreme areas of the planet. Now you can enjoy the freedom with the experience of a great brand.

# Specifications & Dimensions

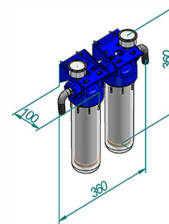
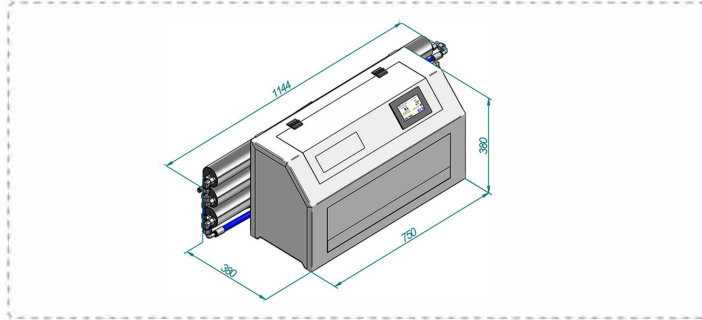
## MODULAR



## Option



## COMPACT



	AE-200	SE-200	AE-300
<b>Configuration</b>	Compact	Modular	Compact
<b>Weight</b>	82 Kg	80 Kg	89 Kg
<b>Consumption</b>	4,2 A / 220 V	4,25 A / 220 V	4,3 A / 220 V
<b>Feed flow</b>	900 l/h	1000 l/h	1200 l/h
<b>Production</b>	200	240	300
<b>Membrane</b>	3 x 2540	3 x 2540	4 x 2540
<b>Power supply</b>	48 V DC / 220 V AC - 380 V AC		

Characteristics	SE/E-STANDARD	AE/E-AUTOMATIC
<b>Autoregulated</b>		X
<b>Automatic pressure regulation</b>	X	X
<b>Automatic regulation of the production</b>	X	X
<b>Automatic Flush</b>	X	X
<b>Salinity control</b>	X	X
<b>Digital user's guide</b>	X	X
<b>Hour meter</b>	X	X
<b>Touch screen</b>	X	X



ECO-SYSTEMS WATERMAKERS S.L.

C/ Horta, 22. 08203 Sabadell, Barcelona (España)  
 Tel: +34 937 108 950  
 Email: info@eco-systems.com  
 www.eco-systems.com

Authorized dealer



**Fischer Panda**  
 UK | POWER SOLUTIONS

Exclusive UK Distributor:  
**Fischer Panda UK | Power Solutions**  
 17 Blackmoor Road, Ebblake Industrial Estate  
 BH31 6AX, Verwood  
 +44 1202 820 840 | info@fischerpanda.co.uk  
 www.fischerpanda.co.uk