



## AQUA MATIC DIMENSIONS

### AQUA MATIC COMPACT MODEL

#### Front View



#### Overhead View

a. Model 450-1 & 900-2

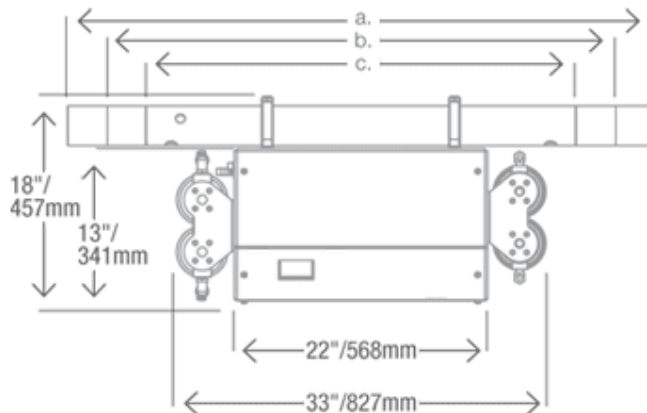
27 15/16" (710mm)

b. Model 700-1 & 1400-2

37 15/16" (964mm)

c. Model 900-1 & 1800-2

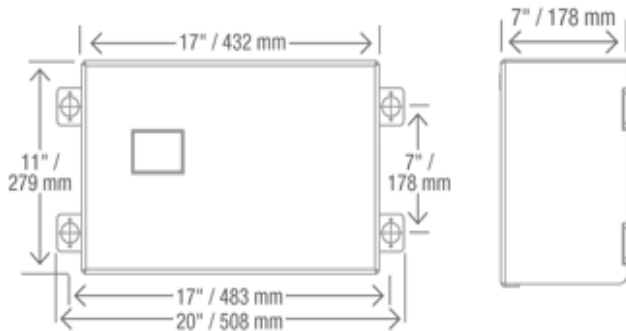
46 15/16" (1192mm)





## AQUA MATIC MODULAR MODEL

### Front and Profile View



### R.O. Membrane Assembly

a. Model 450-1 & 900-2

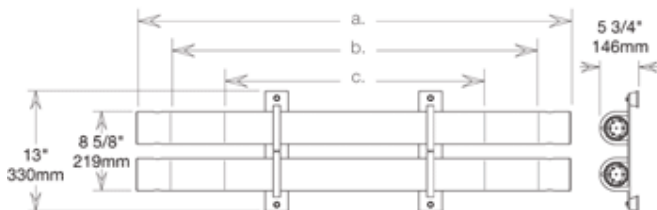
27 15/16" (710mm)

b. Model 700-1 & 1400-2

37 15/16" (964mm)

c. Model 900-1 & 1800-2

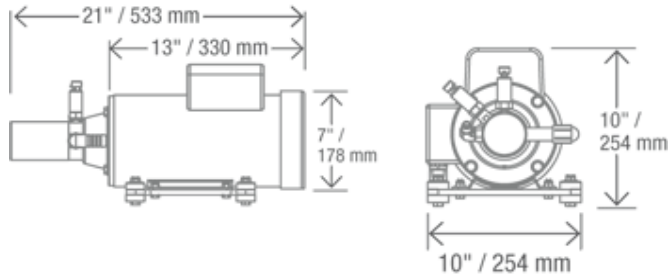
46 15/16" (1192mm)



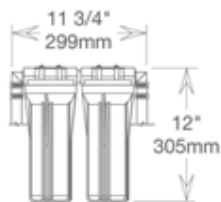


# Fischer Panda

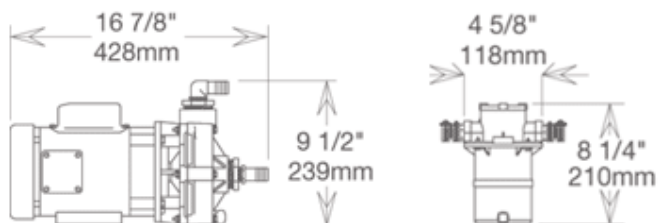
## High Pressure Pump □



## Pre/Post Filter □



## Booster Pump / Sea Strainer □



Fischer Panda UK Ltd. 17 Blackmoor Road,  
Ebblake Industrial Estate, Verwood. Dorset BH31 6AX  
Tel: +44 (0)1202 820840 Fax: +44 (0)1202 828688  
[www.fischerpanda.co.uk](http://www.fischerpanda.co.uk)

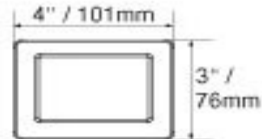


# Fischer Panda

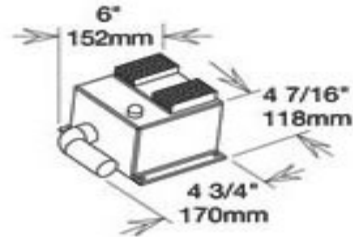
## ADDITIONAL ACCESSORIES

- a. Touch Screen Remote
- b. Soft Motor Start
- c. Fresh Water Flush
- d. UV Sterilizer
- e. Plankton Filter
- f. Multimedia Filter
- g. Commercial Pre-filter
- h. Oil and Water Separator

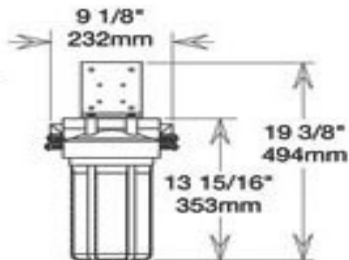
a.



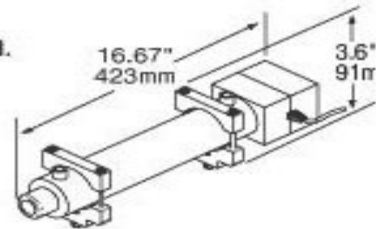
b.



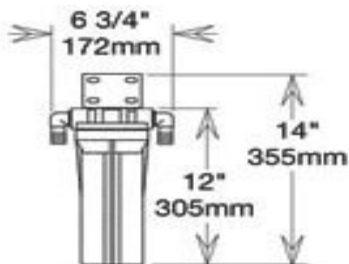
c.



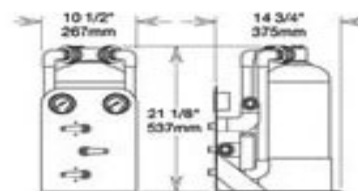
d.



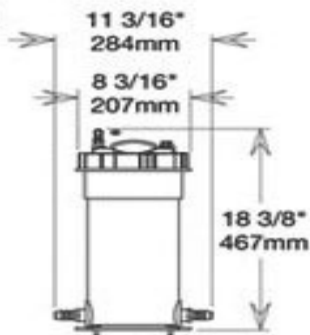
e.



f.



g.



h.

