




Aqua Whisper Mini 170



Aqua Whisper Mini 350

AQUA WHISPER MINI - SPECIFICATIONS

Performance Rated Performance / Product Water Produced: +-15% at 820 PSI / 57 BAR, 77°F / 25°C & 35,000 PPM TDS typical sea water

Production	Model	Per Hour	Per Day
	AM 170	7 gal / 26.8 lit	170 gal / 644 lit
	AM 350	15 gal / 56.9 lit	350 gal / 1,325 lit
	AM 550	23 gal / 87 lit	550 gal / 1,900 lit
	AM 750	31 gal / 117 lit	750 gal / 2,850 lit

Salt Rejection (Chloride Ion) Minimum 99.2%, Average 99.4%

Product Water Temperature Ambient to feed water temperature

Pressure Adjustment User Adjusted

Salinity Monitoring Automatic electronic monitoring. Temperature compensated with the digital continuous readout. The salinity monitoring components of the system give a continuous TDS readout in ppm (parts per million), are temperature compensated, and of a fail safe design.

Salinity Range Designed for seawater use up to 50,000 PPM TDS (NaCl) (typical seawater salinity is 35,000 ppm)

Temperature Range Max. 122°F / 50°C, Min. 33°F / .5°C

System Feed Water Flow: 2.9 gpm / 11 lpm (depending on system)

Reverse Osmosis Membrane Selected High Rejection/High Yield aromatic tri-polyamid, thin film composite, spiral wound, single pass, high rejection reverse osmosis membrane element.

Chlorine Tolerance 0.1 PPM

pH Range 3-11 (typical seawater pH is 8)

System Pressure Feed Water: Maximum 35 psi / 2.41 bar / 2.46 Kg/cm²

System Operation Seawater nominal 820 psi / 56.5 bar / 57.66 Kg/cm²

Weight

Model Number	Weight
AM 170	70 lbs/32 Kg
AM 350	89 lbs/47.6 Kg
AM 550	125 lbs/57 Kg
AM 750	130 lbs/59 Kg

External Installation Water Connections Pipe sizes to be supplied by the installer for connection of the SRC supplied components. The below pipe threads are all US Standard.

AM 170 & 350

Feed Inlet: 1/2" MNPT Male National Pipe Thread
Brine Discharge: 1/2" MNPT Male National Pipe Thread
Product: 1/4" FNPT Female National Pipe Thread

AM 550 & 750

Feed Inlet: 3/4" MNPT Male National Pipe Thread
Brine Discharge: 1/2" MNPT Male National Pipe Thread
Product: 3/8" FNPT Female National Pipe Thread

Electrical Requirements

(NOA = Normal Operating Amps; SUC = Start Up Current; HP = Horse Power)

Aqua Whisper Mini 170

Phase	Pump Motor	Hz	Voltage	HP	NOA	SUC
Single	High Pressure	N/A	12VDC	.333	29	120
Single	High Pressure	50	110	.333	6	26
Single	Booster	N/A	24VDC	.333	14	60
Single	Booster	60	230	.333	3	13

Aqua Whisper Mini 350

Phase	Pump Motor	Hz	Voltage	HP	NOA	SUC
Single	High Pressure	50	110	1	13	52
Single	Booster	60	230	1	6.5	26

Aqua Whisper Mini 550 & 750

Phase	Pump Motor	Hz	Voltage	HP	NOA	SUC
Single	High Pressure	50	110	2.5	33	121
Single	Booster	60	230	2.5	16.5	61

Circuit Breaker Size - Aqua Whisper Mini 170

Operating AC Voltage	Phase	Recommended Circuit Breaker
12 / 24VDC		40 Ampere / 20 Ampere
110 / 230	Single	20 Ampere / 15 Ampere

Aqua Whisper Mini 350

Operating AC Voltage	Phase	Recommended Circuit Breaker
110 / 230	Single	20 Ampere / 15 Ampere

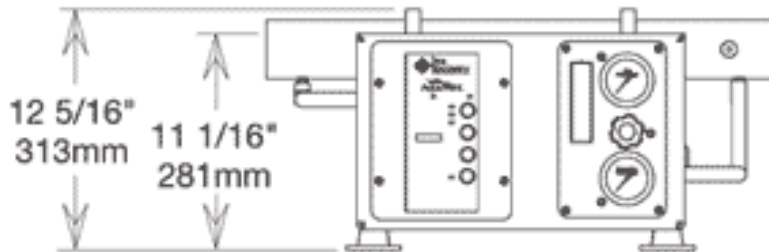
Aqua Whisper Mini 550 & 750

Operating AC Voltage	Phase	Recommended Circuit Breaker
110 / 230	Single	40 Ampere / 20 Ampere

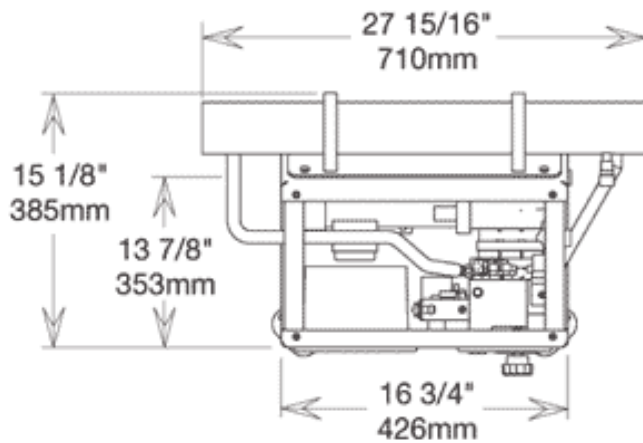


AQUA WHISPER MINI 170

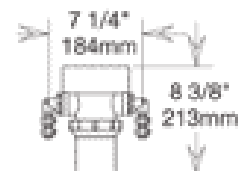
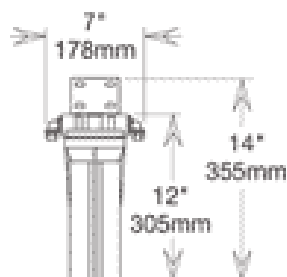
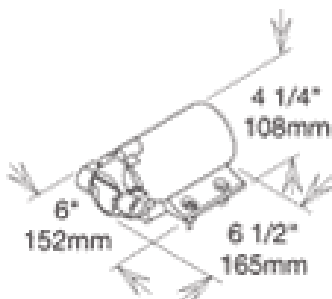
FRONT VIEW



OVERHEAD VIEW



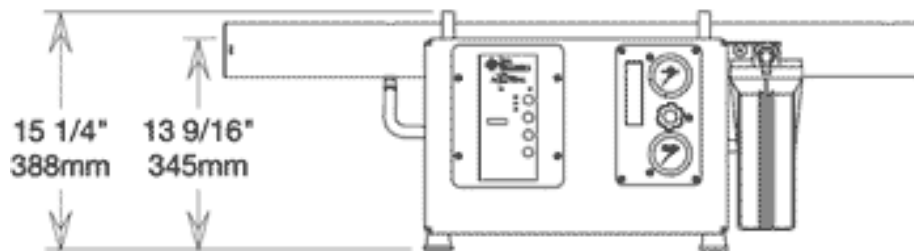
BOOSTER PUMP • PRE-FILTERS • SEA STRAINER



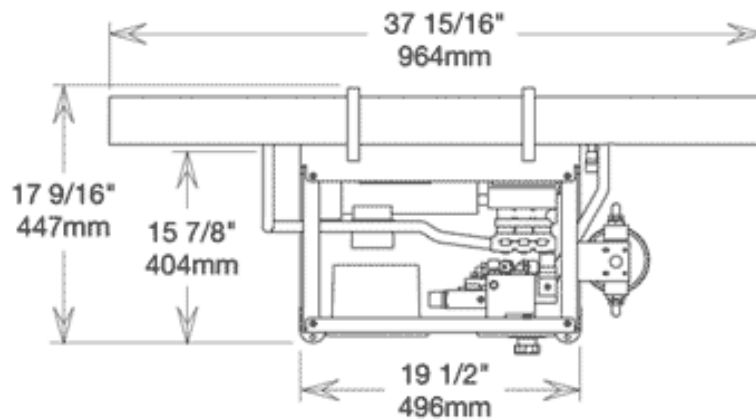
AquaMini™

AQUA WHISPER MINI 350

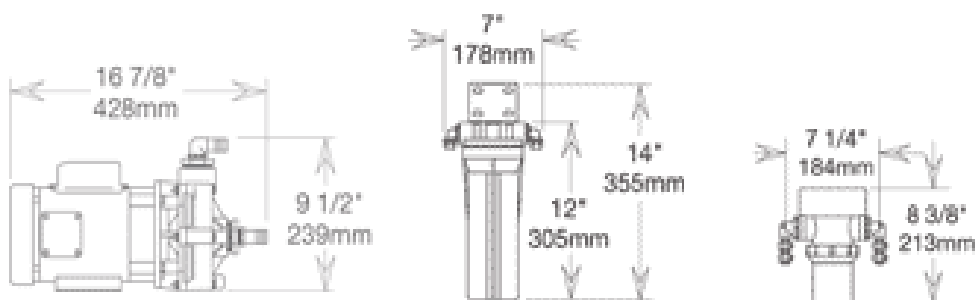
FRONT VIEW

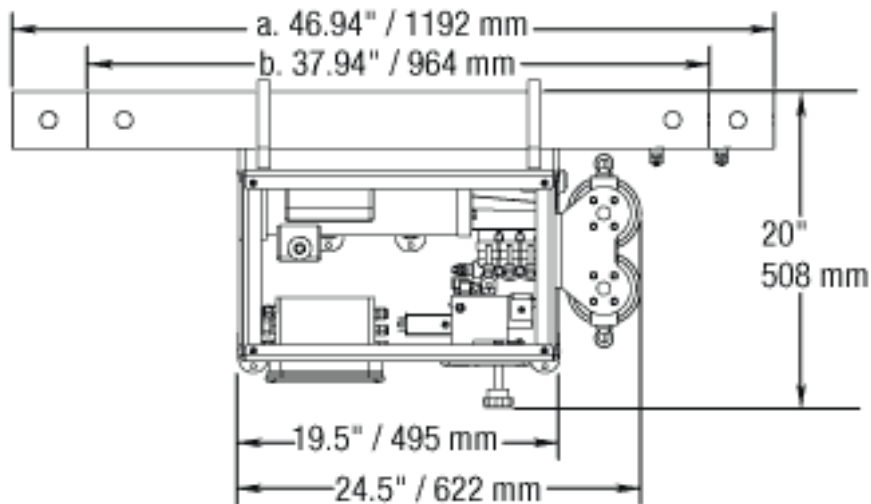
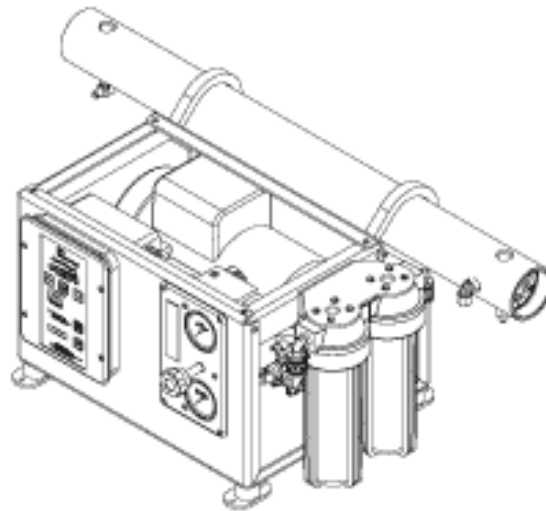


OVERHEAD VIEW



BOOSTER PUMP • PRE-FILTERS • SEA STRAINER



Aqua Mini™**AQUA WHISPER MINI 550 & 750**

a. Aqua Whisper Mini 550. b. Aqua Whisper Mini 750