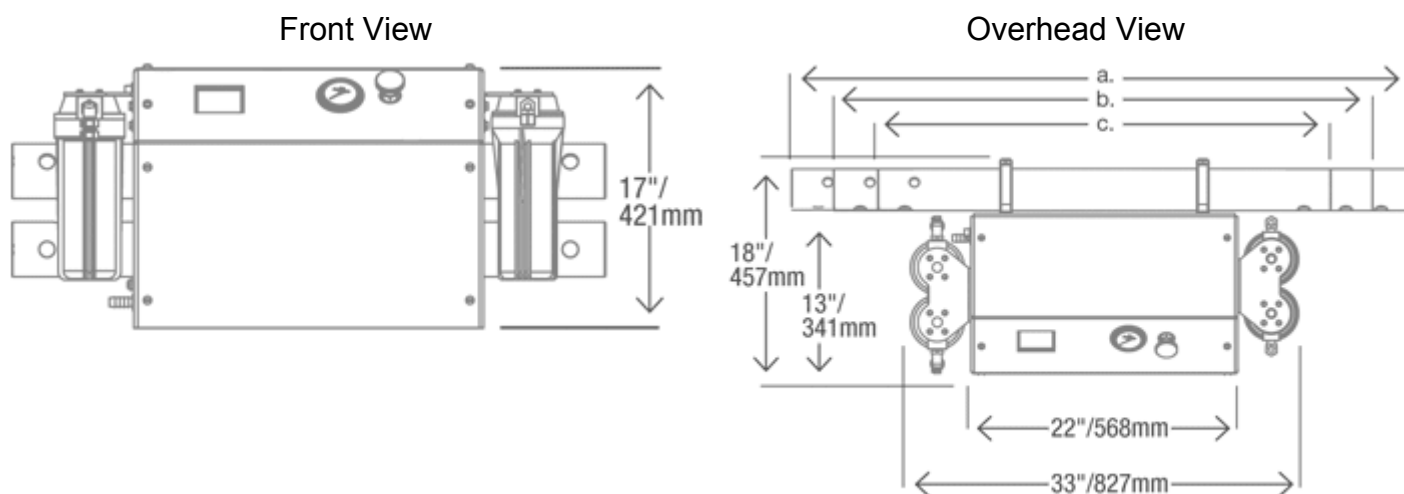




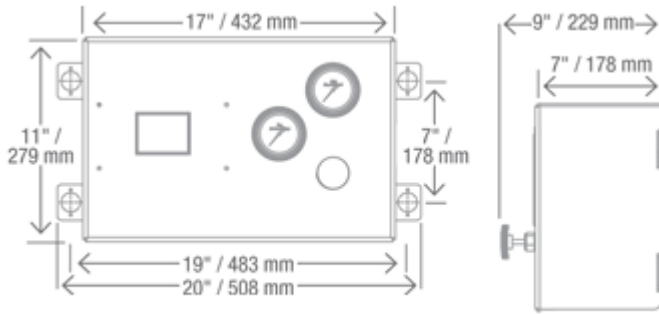
AQUA WHISPER DX - DIMENSIONS



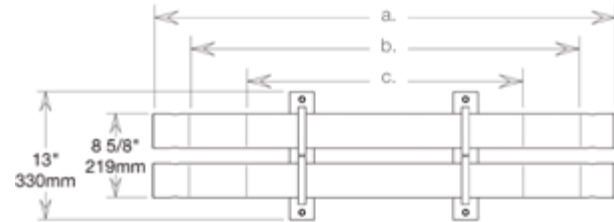
- a. Model 900-1 & 1800-2: 46 15/16" (1192mm) ,
- b. Model 700-1 & 1400-2: 37 15/16" (964mm),
- c. Model 450-1 & 900-2: 27 15/16" (710mm)



Control Panel - front and profile

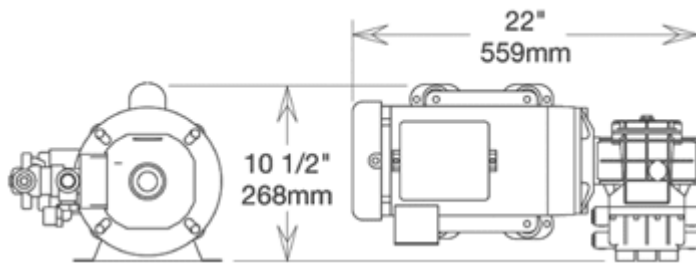


Membrane Configuration

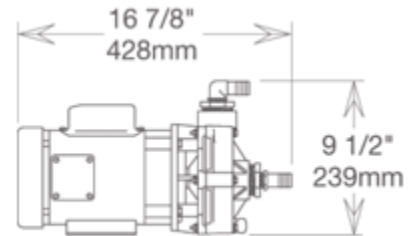


- a. Model 900-1 & 1800-2: 46 15/16" (1192mm),
- b. Model 700-1 & 1400-2: 37 15/16" (964mm),
- c. Model 450-1 & 900-2: 27 15/16" (710mm)

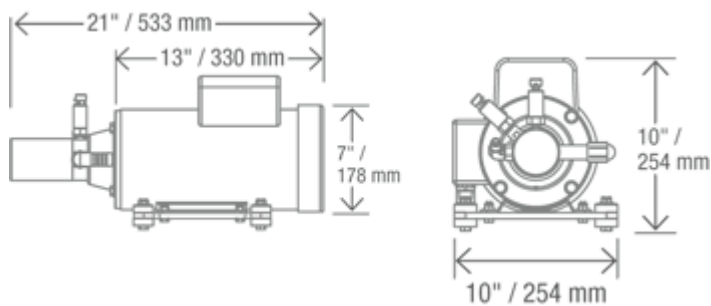
Standard Plunger Pump



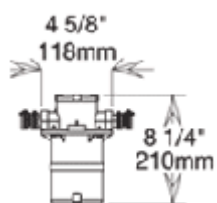
Booster Pump



Optional High Pressure Pump



Sea Strainer



Dual Filter Assembly

