



Fischer Panda[®]

Power wherever
you are™

Fischer Panda 80kW 420V 1900rpm drive

Technical specifications:

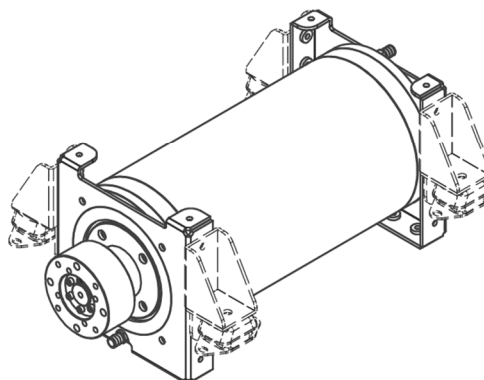
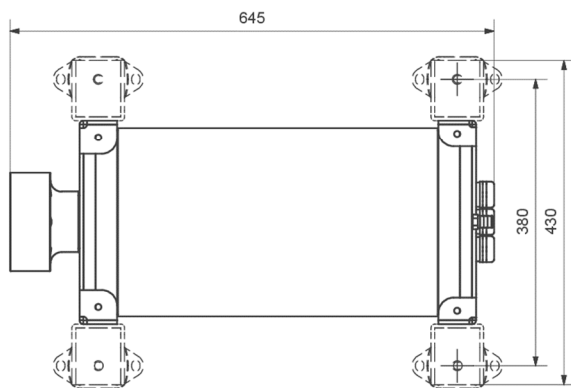
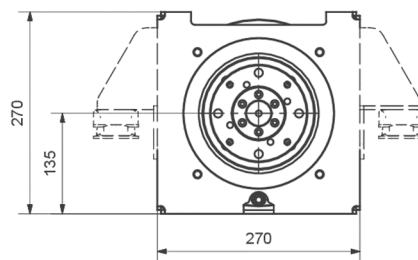
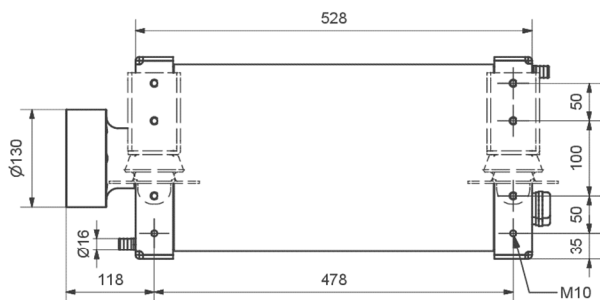
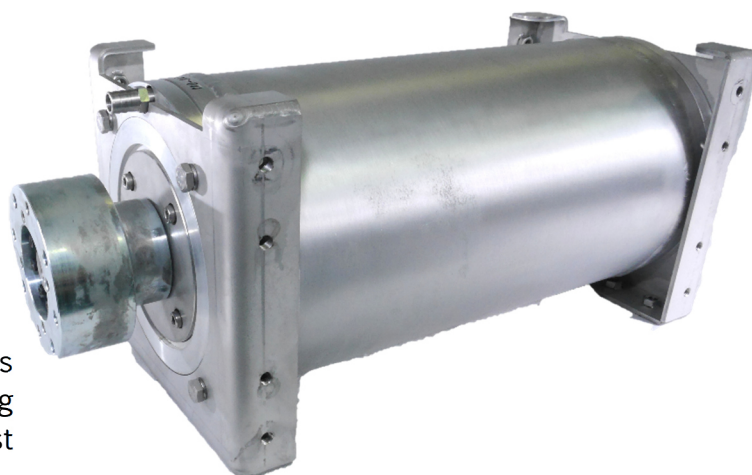
Voltage: 420V
Input power: 85 kW
Shaft power: 80 kW
RPM: 1900
Nm: 397
Weight: 107kg

Art-No: 0013415

Our shaft motors are made of heavy duties and have a double-walled aluminum housing which is water-cooled with integrated thrust bearings.

They are without gear, brushless, sensorless and have no oil filling.

This makes our engines: durable, efficient and low maintenance!



Fischer Panda UK Limited
17 Blackmoor Road,
Ebblake Estate
Verwood, Dorset
BH31 6AX



Tel: +44 (0)1202 820840
Fax: +44 (0)1202 828688



Email: info@fischerpanda.co.uk
Web: www.fischerpanda.co.uk